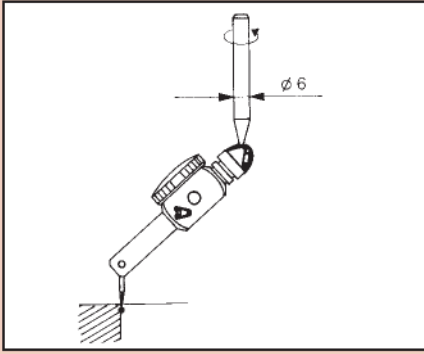


Optional accessories for Lever gauge



Series 513

For small versions with switch lever

Clamping shafts



No. 102036 \varnothing 4 mm

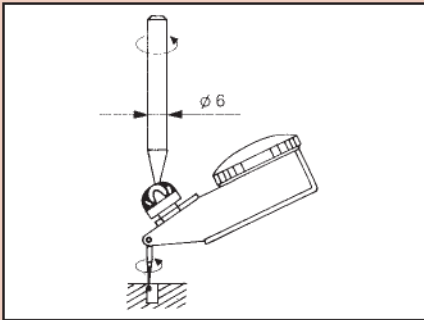


No. 102822 \varnothing 8 mm

Universal holder



No. 901917 \varnothing 8,00 mm



Series 513

For horizontal version, parallel version, universal version, inclined version, vertical version.

Clamping shafts for dovetail guidings



No. 190318 \varnothing 4 mm



No. 190320 \varnothing 8 mm

Union nut



No. 190322

Universal holder with dovetail stem



No. 901461 \varnothing 6,00 mm

No. 901459 \varnothing 6,35 mm

No. 901916 \varnothing 8,00 mm

For all lever gauges

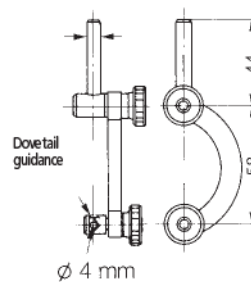
Holder for \varnothing 4/8 mm



No. 900321

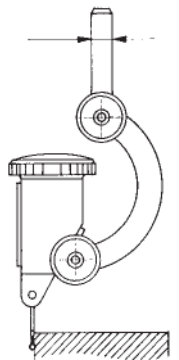
Dovetail guidance

Centering holder



No. 901997 clamping shaft \varnothing 6,35 mm

No. 901959 clamping shaft \varnothing 8,00 mm



Holder (9x9 mm) with clamping shaft \varnothing 6 mm



No. 953638 Length 50 mm

No. 900209 Length 100 mm

Holder (\varnothing 8 mm) with clamping shaft \varnothing 6 mm



No. 900211 Length 115 mm